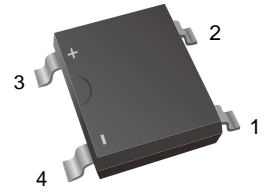


2A Glass Passivated Single-Phase Bridge Rectifier

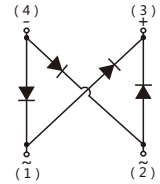
Features

- Glass passivated chip
- Low Reverse Leakage Current
- High surge current capability
- Lead free in comply with EU RoHS 2011/65/EU directives



Mechanical Data

- Case: ABS/LBF
- Marking / Polarity: Marked on Body
- Approx. Weight: 0.083g



Ordering Information

Part Number	Shipping	Reel
LTRA1S-20H THRU LTRA10S-20H-TR5	5000PCS Tape&Reel	13 inches

Maximum Ratings and Thermal Characteristics @ Ta = 25°C unless otherwise noted

Symbol	Characteristic	LTRA 1S-20H	LTRA 2S-20H	LTRA 4S-20H	LTRA 6S-20H	LTRA 8S-20H	LTRA 10S-20H	Unit
VRRM	Maximum Recurrent Peak Reverse Voltage	100	200	400	600	800	1000	V
IF(AV)	Average Forward Output Rectified Current	2						A
VF	Maximum Forward Voltage at 2.0A	1.3						V
IFSM	Peak Forward Surge Current 8.3ms Single Half Sine- wave superimposed on rated load	70						A
IR	Maximum DC reverse current at rated DC blocking voltage per leg Ta = 25°C Ta = 125°C	5 500						μA
TRR	Maximum reverse recovery time (NOTE 1)	150	250		500		nS	
CJ	Typical Junction Capacitance	18						Pf
RθJC	Maximum thermal resistance per leg	10						°C/W
Tj, TSTG	Operating Junction and storage temperature range	-55~150						°C

Note:

- (1) Junction to case with heatsink
- (2) Recommended mounting position is to bolt down on heatsink with silicone thermal compound for maximum heat transfer with M3 screw .



Characteristics Curves

Fig. 1 Forward Current Derating Curve

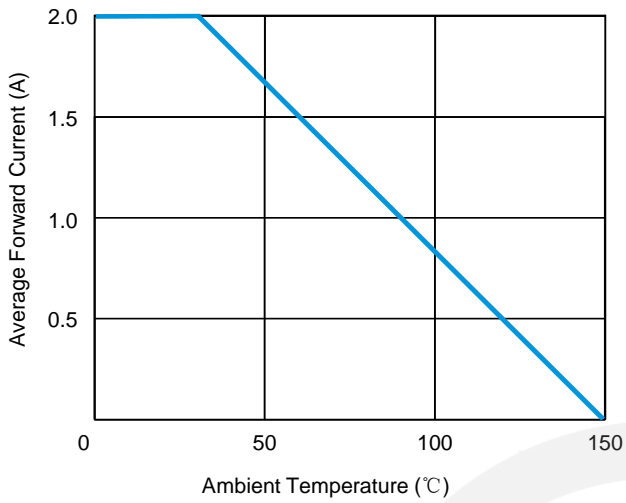


Fig. 2 Maximum Non-Repetitive Surge Current

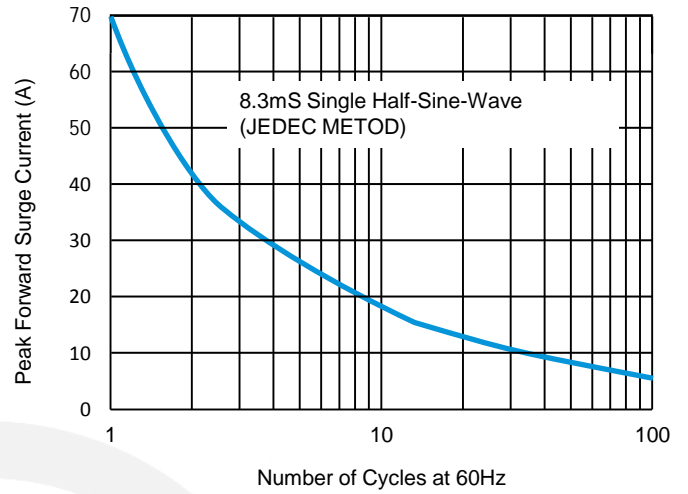


Fig. 3 Typical Reverse Characteristics

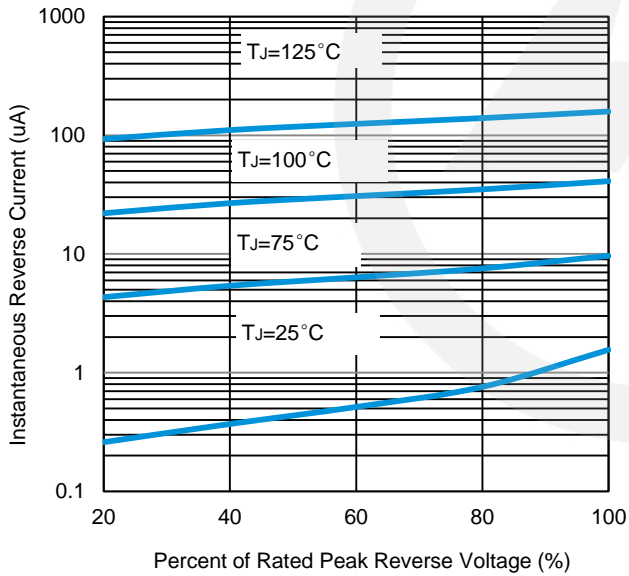
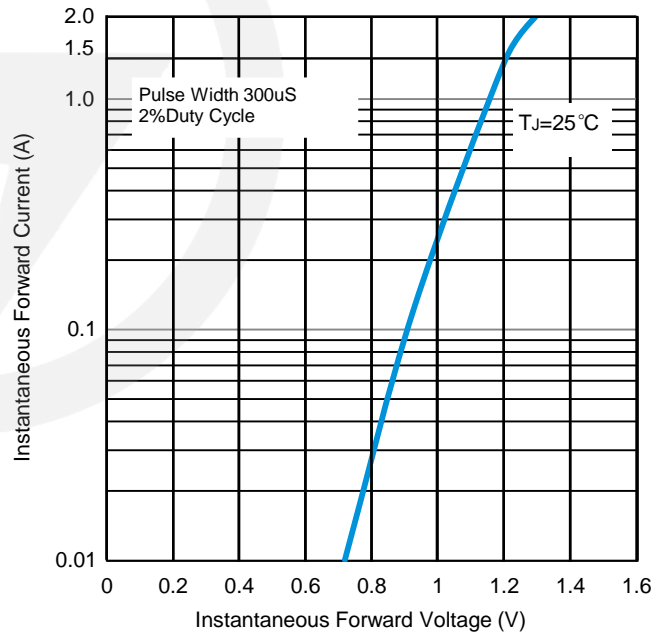
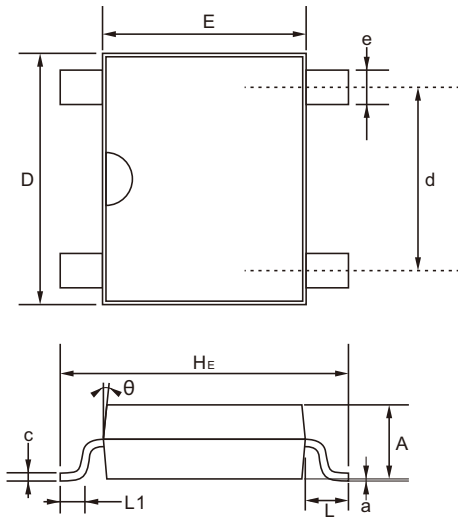


Fig. 4 Typical Forward Characteristics



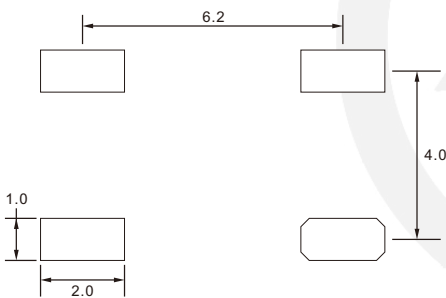
ABS/LBF Package Outline



Unit: mm

SYMBOL	DIMENSIONS	
	MIN.	MAX.
A	1.300	1.500
C	0.150	0.220
D	4.900	5.200
E	4.200	4.500
HE	6.000	6.400
d	3.800	4.200
e	0.500	0.700
L	0.950 TYP.	
L1	0.600 TYP.	
a	0.200 TYP.	
θ	7°	

ABS/LBF Suggested Pad Layout



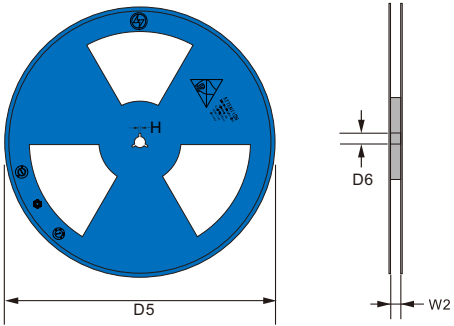
- Note:
1. Controlling dimension: in millimeters.
 2. General tolerance: $\pm 0.05\text{mm}$
 3. The pad layout is for reference purpose only.

Marking

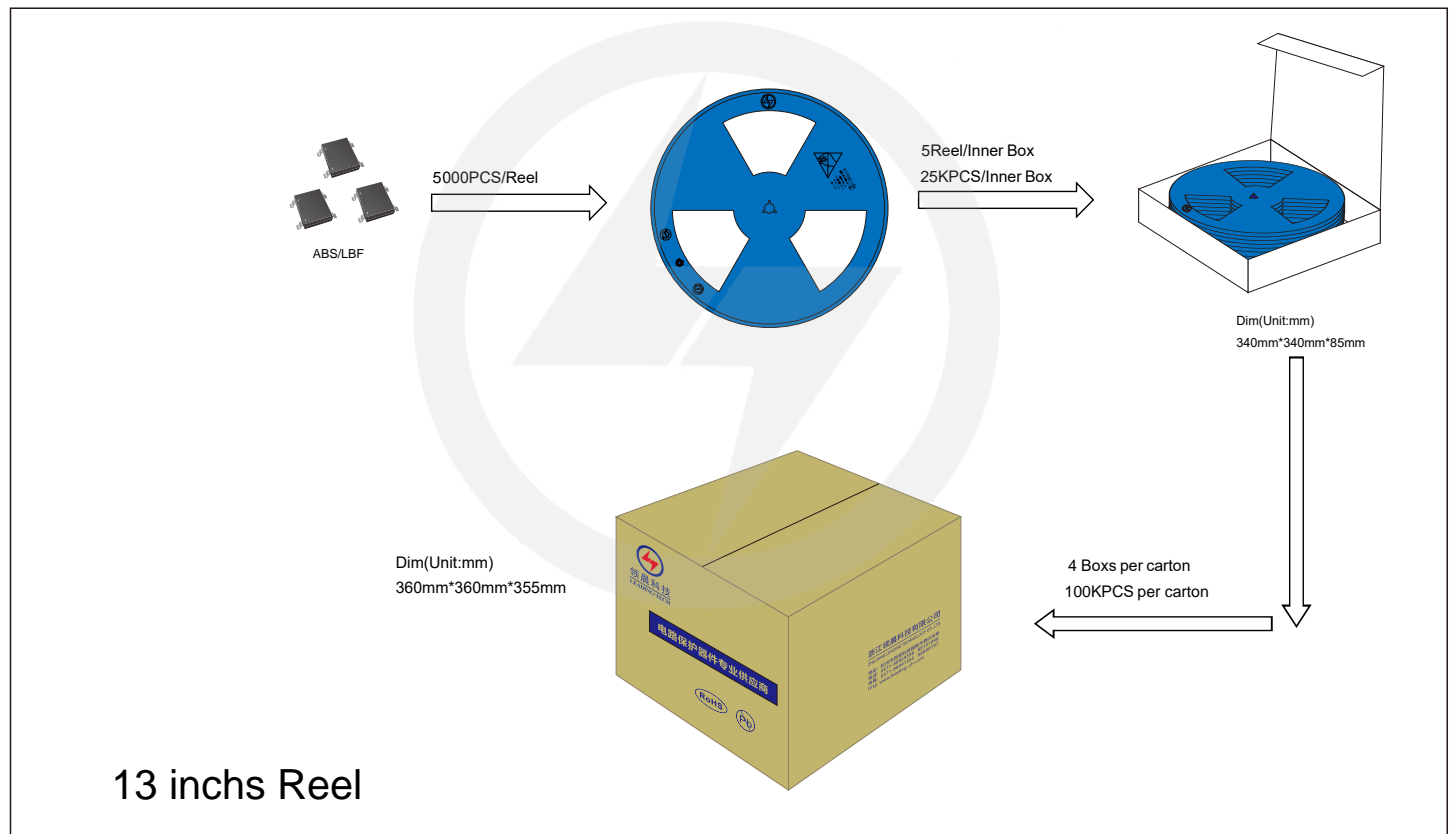
Type number	Marking code
LTRA1S-20H	RABS201
LTRA2S-20H	RABS202
LTRA4S-20H	RABS204
LTRA6S-20H	RABS206
LTRA8S-20H	RABS208
LTRA10S-20H	RABS210

Reel Dimensions

Unit : mm

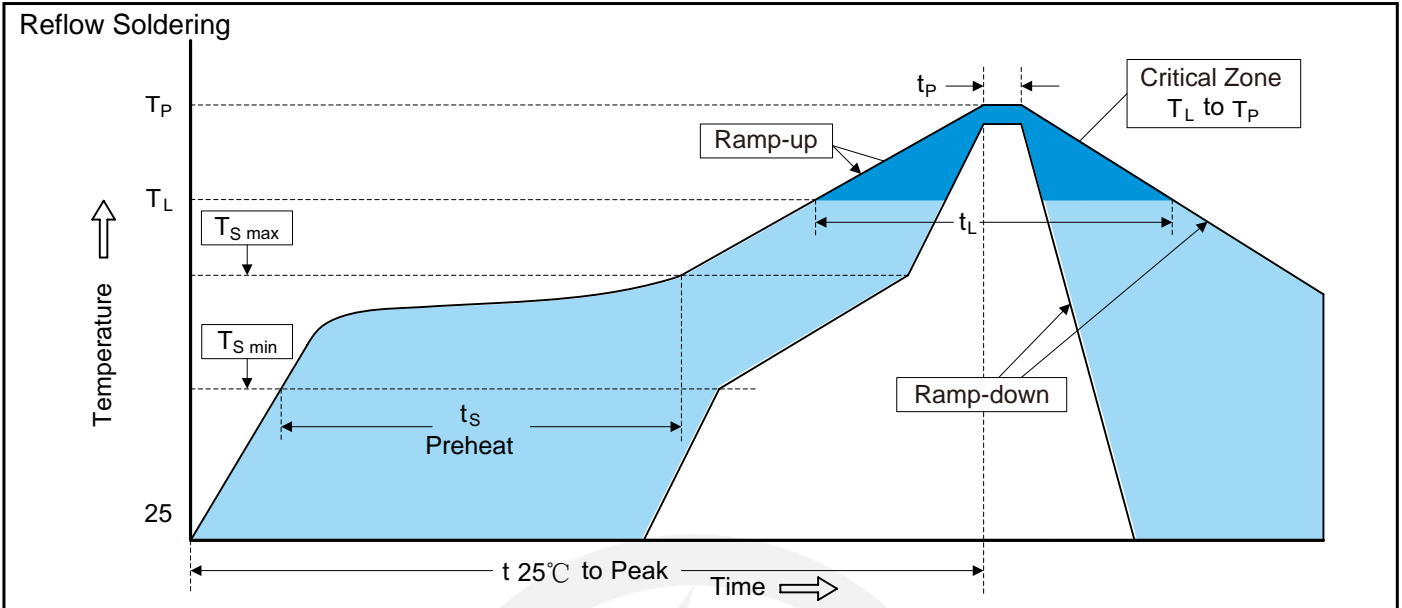
<p>13" Reel</p> 	D5	$\Phi 330.0 \pm 2.0$
	D6	$\Phi 13.5 \pm 0.5$
	H	2.5 ± 1.0
	W2	12 ± 2.0
	Quantity: 5000PCS	

Packaging





Recommended Soldering Conditions



Recommended Conditions

Profile Feature	Pb-Free Assembly
Average ramp-up rate (T _L to T _P)	3°C/second max.
Preheat	
-Temperature Min (T _{S min})	150°C
-Temperature Max (T _{S max})	200°C
-Time (min to max) (t _s)	60-180 seconds
T _{S max} to T _L	
-Ramp-up Rate	3°C/second max.
Time maintained above:	
-Temperature (T _L)	217°C
-Time (t _L)	60-150 seconds
Peak Temperature (T _P)	260°C
Time within 5°C of actual Peak Temperature (t _p)	20-40 seconds
Ramp-down Rate	6°C/second max.
Time 25°C to Peak Temperature	8 minutes max.

Important Notice and Disclaimer

Leading-Tech reserves the right to make changes to this document and its products and specifications at any time without notice.

Customers should obtain and confirm the latest product information and specifications before final design, purchase or use.

Leading-Tech makes no warranty, representation or guarantee regarding the suitability of its products for any particular purpose, not does Leading-Tech assume any liability for application assistance or customer product design.

Leading-Tech does not warrant or accept any liability with products which are purchase or used for any unintended or unauthorized application.

No license is granted by implication or otherwise under any intellectual property rights of Leading-Tech.

Leading-Tech products are not authorized for use as critical components in life support devices or systems without express written approval of Leading-tech.

Version Update Information

Series NO.	Enactment/Revision Date	Effective Date	Version	Revision Content	Revision Reason	Revision Person	Note
01	2025.05.10	2025.05.10	3.0	New file	/	Ding	